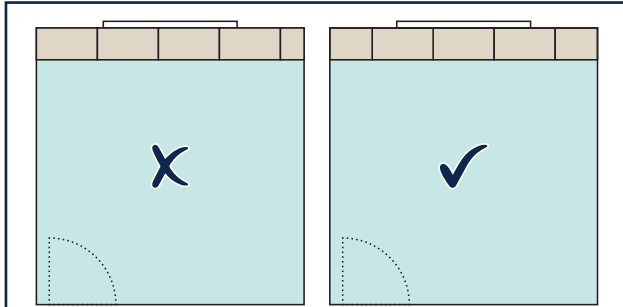
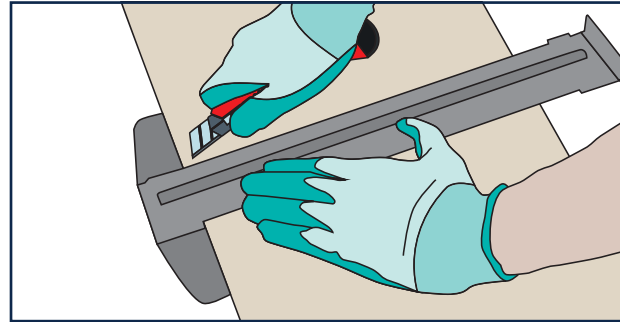


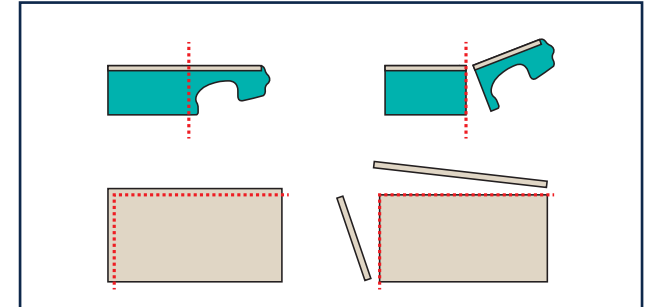
How to install ClickLux Tiles



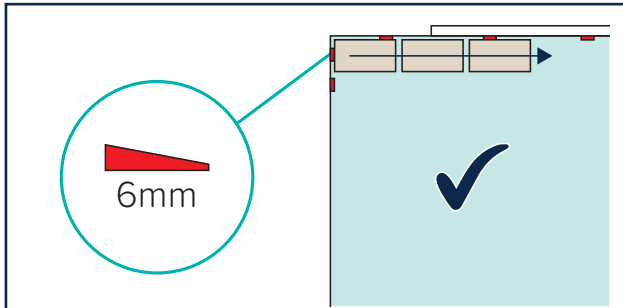
1. Lay your first row of ClickLux tiles out next to one another to determine the best fit. To achieve an even look, you may need to cut the first piece to a shorter length. It is advisable to set out your pieces so that the cuts lengths at each end are more than 20cm in length.



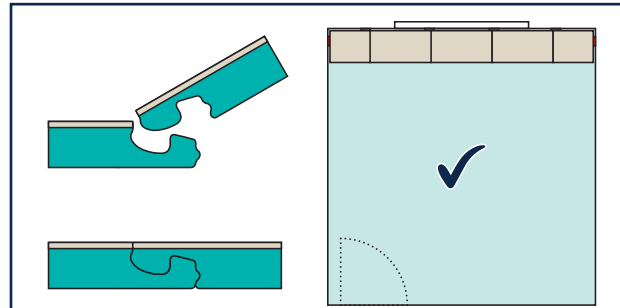
2. To cut your ClickLux tiles to size, measure and mark with a pencil. Using a T-square and utility knife, apply pressure and score along the line. Gently flex along the scored edge until it separates into two pieces.



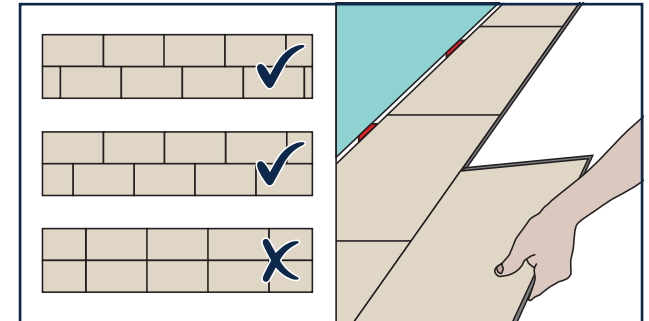
3. To achieve a perfect fit, always fit a cut edge next to walls rather than a locking profile. For pieces that sit in the corner of a room, this will mean cutting both the long and short edges to remove the locking profile.



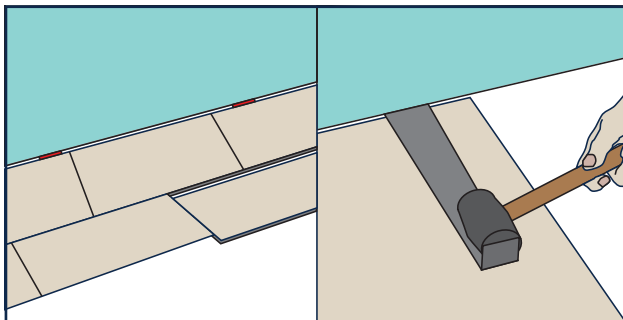
4. Begin installing ClickLux from the left side of your room and always work to the right. Use spacer wedges next to any piece that meets a wall to ensure a 6mm expansion gap is left around the perimeter.



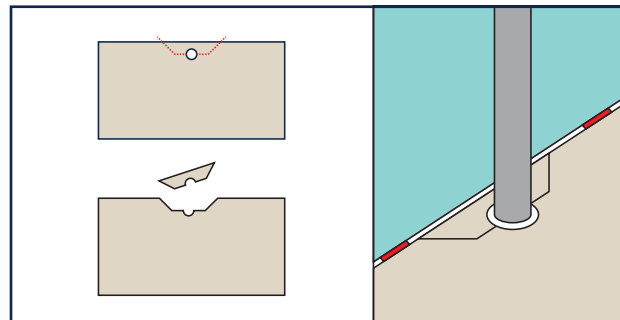
5. To install the first row, insert the tongue side into the groove side of the previous piece at an angle of around 30°. Gently apply inwards and downwards pressure until the joint closes and the pieces lay flat. Continue to install further pieces until the first row is complete.



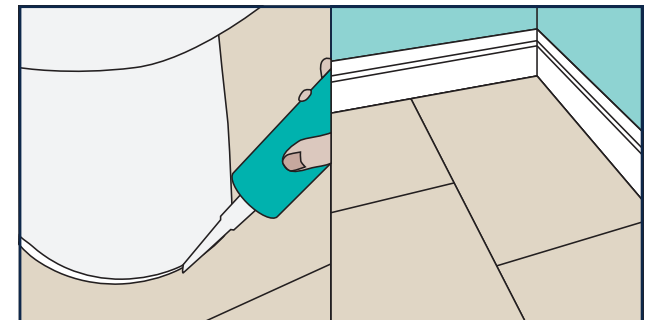
6. When starting a new row, always remember to work from left to right. Pieces can be easily locked together on the long edge by angling the joint and applying pressure in the same way as the short edge. Always ensure the joints are staggered by at least a third.



7. Continue to lay tiles along the row. Always connect the short edge first, then lift and angle the long edge into place. As you angle the long edge, the previous tile will lift at the same time. Use a pull bar at the end of a row to ensure the joints are secured.



8. ClickLux can be easily fit around pipes by using a hole saw. Use a utility knife and cut a few centimeters away from the hole horizontally then at a 45° angle to the edge. Always leave a 6mm expansion gap around all pipes and objects. Reattach the pieces together using PVA glue and wipe away any excess glue with a damp cloth.



9. Continue to work left to right row by row. Once the floor is complete, remove the spacer wedges. Finish the look with skirting boards around the perimeter to conceal the expansion gaps. For splash areas such as bathrooms, high quality silicone caulking should be used to prevent water seepage.